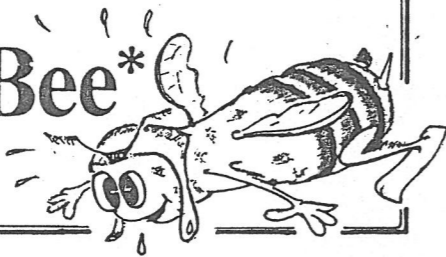


a two-seater for Lypne - 1924/25/26 Trials

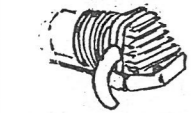
Beardmore * Wee Bee *

CACAHUËTE DE JEAN-FRANCIS FRUGOLI
for Miami Rule / 9" Length * Longueur: 23 cm

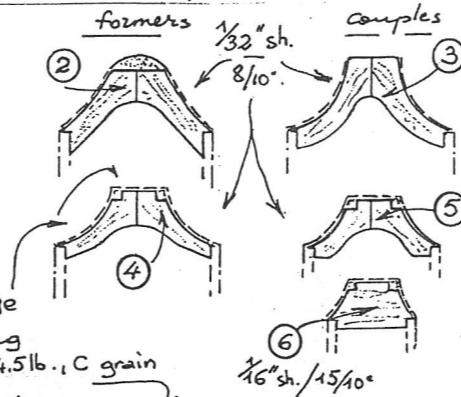
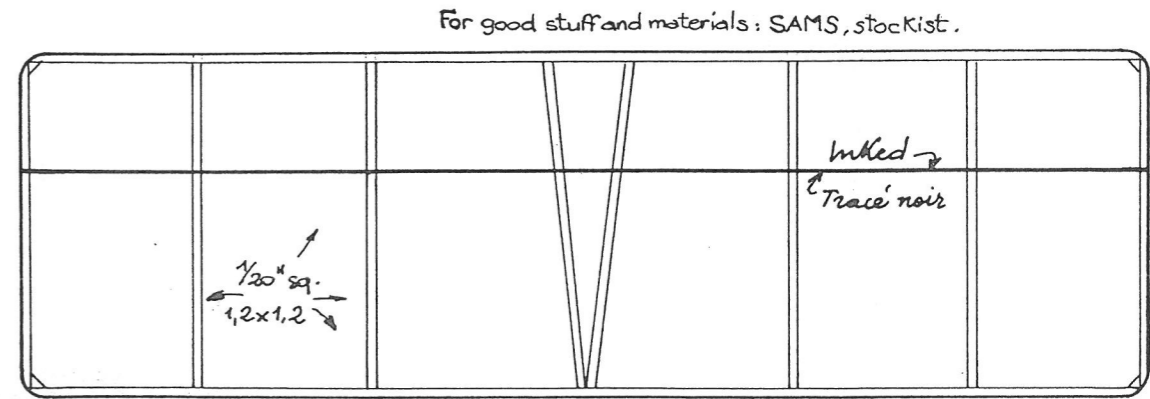
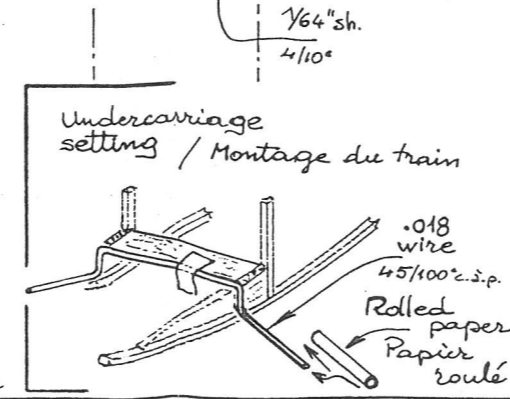
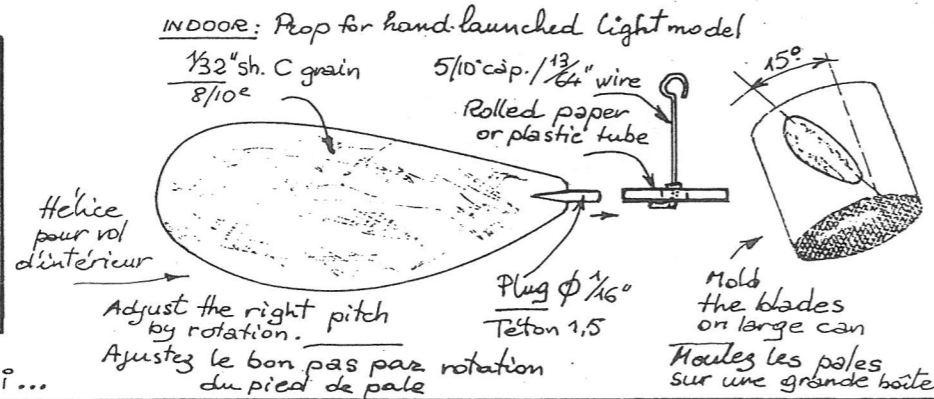
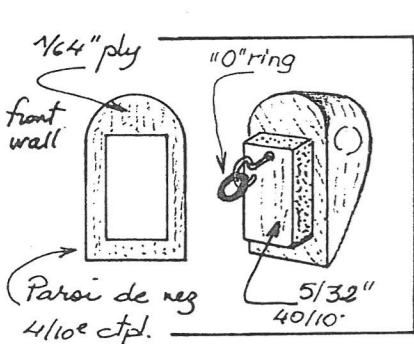
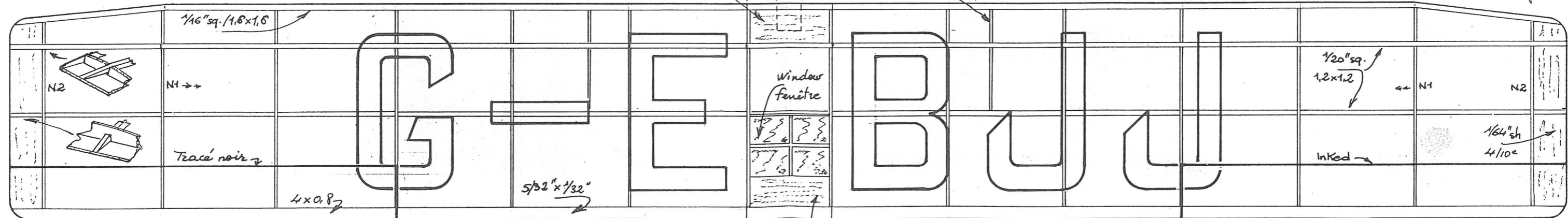


4 3/4" P.P.
light prop
or 4" North Pacific prop.
Hélice plastique
φ 10 cm.

32 hp
Bristol Cherub engine



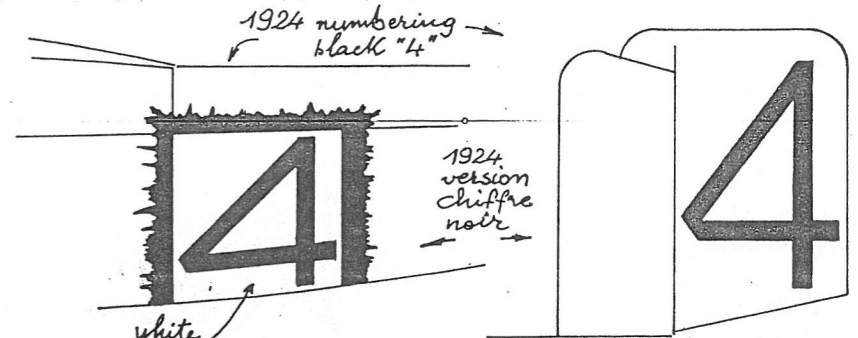
1 1/16" sh.
15/10°
Double the sticks
de la paroi frontale



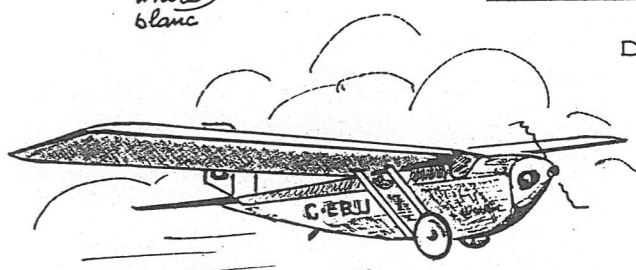
Coffrage Sheeting
.015, 4.5 lb., C grain
1/32" sq. / 0.8x0.8

1925/26 registration

1/20" sq. 1,2x1,2



DOCUMENTATION:
"ULTRALIGHTS"
AEROPLANES Monthly,
May 1985.



COLOURING: Dark blue fuselage with white registration and inscription.
alum. wings, tail and cowl, black registration.

Cylinders omitted for clarity