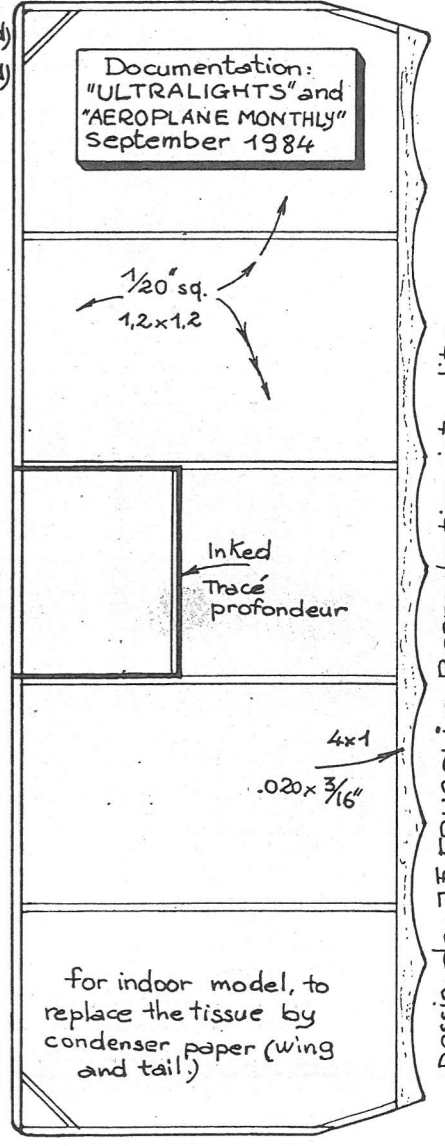
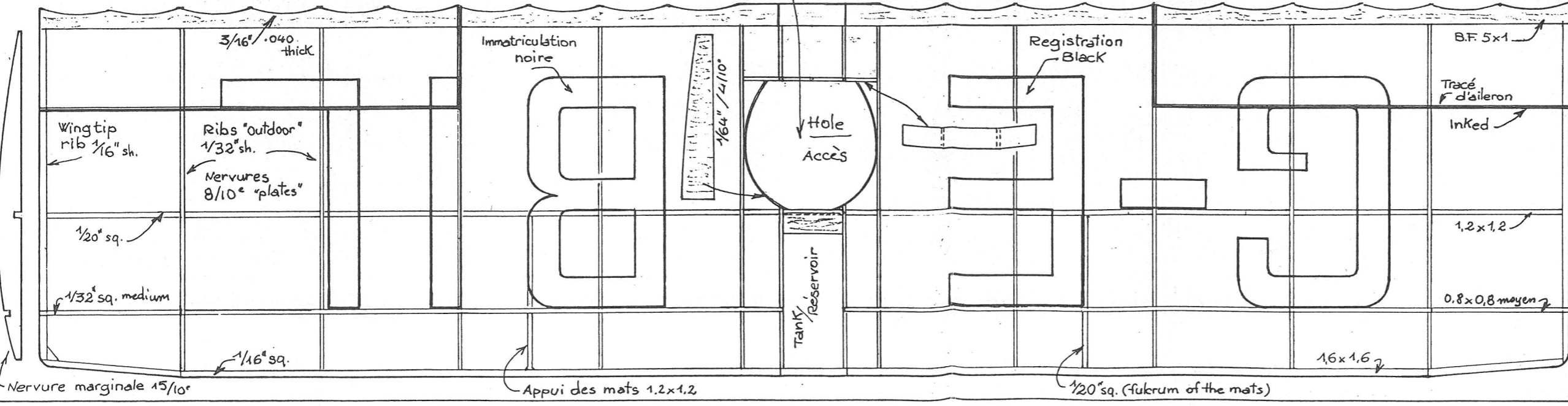
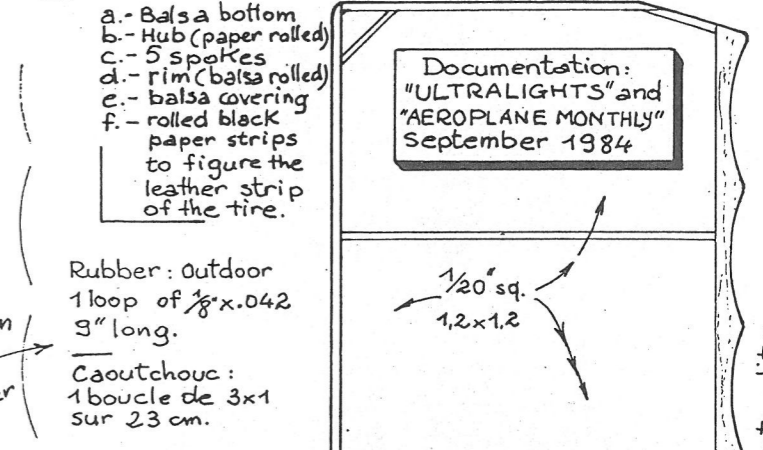
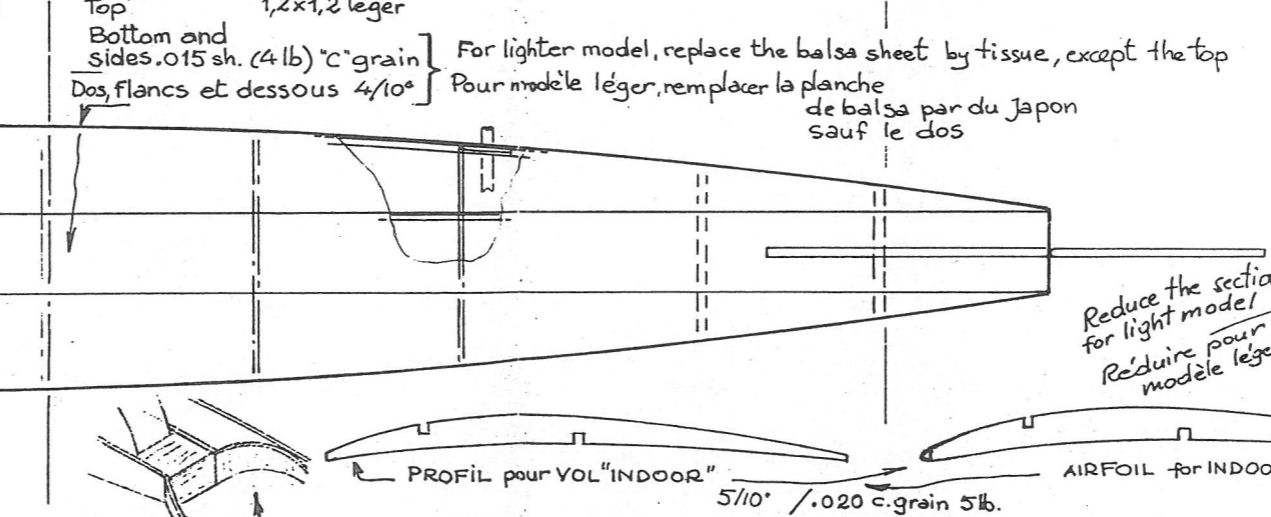
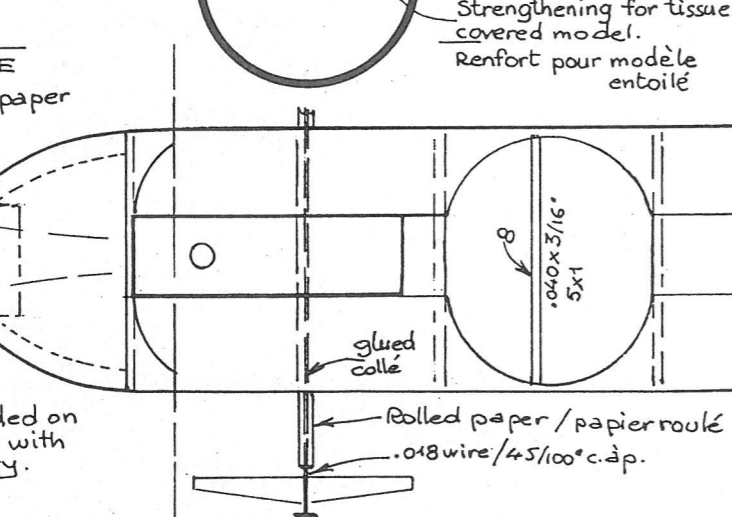
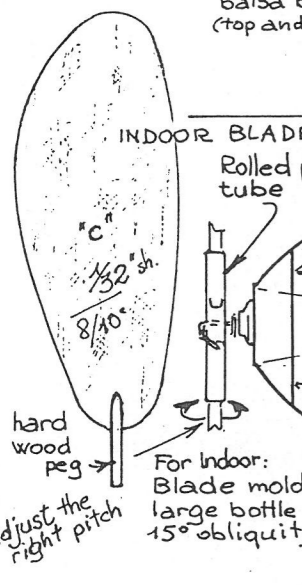
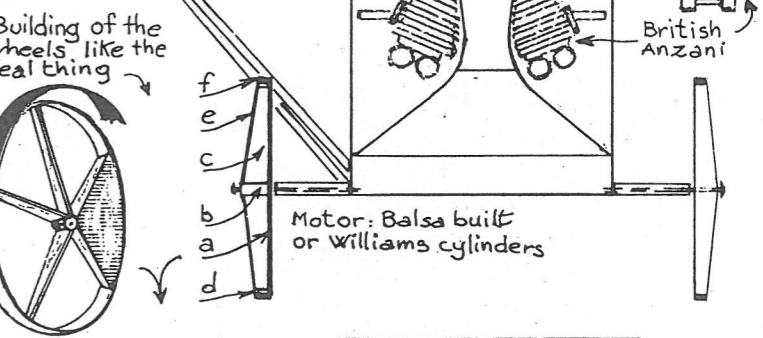
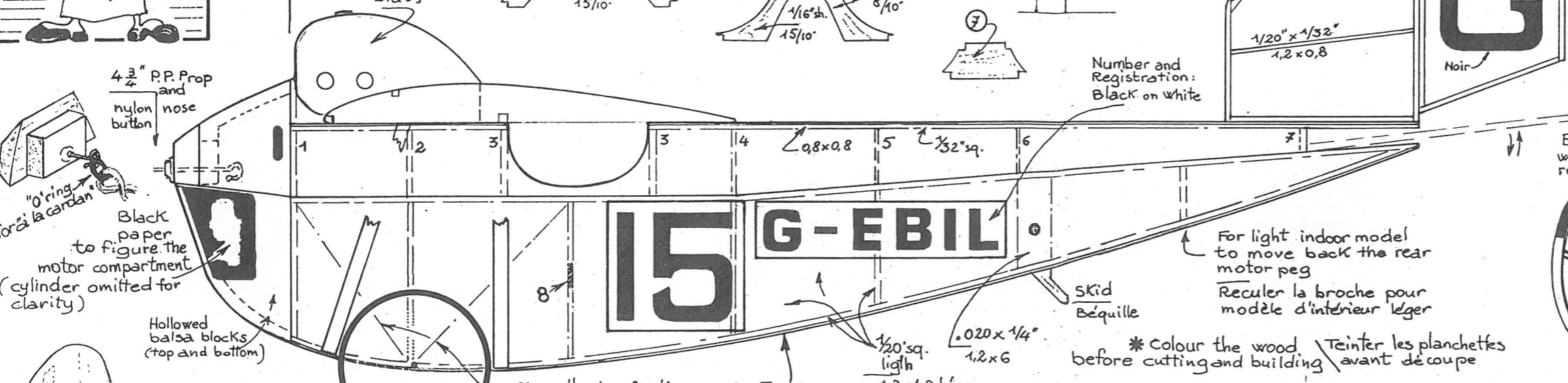
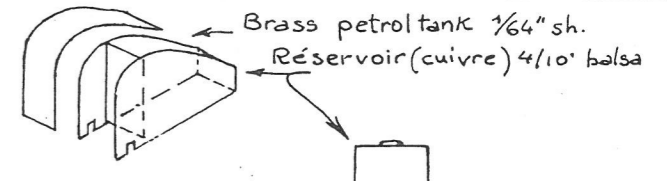
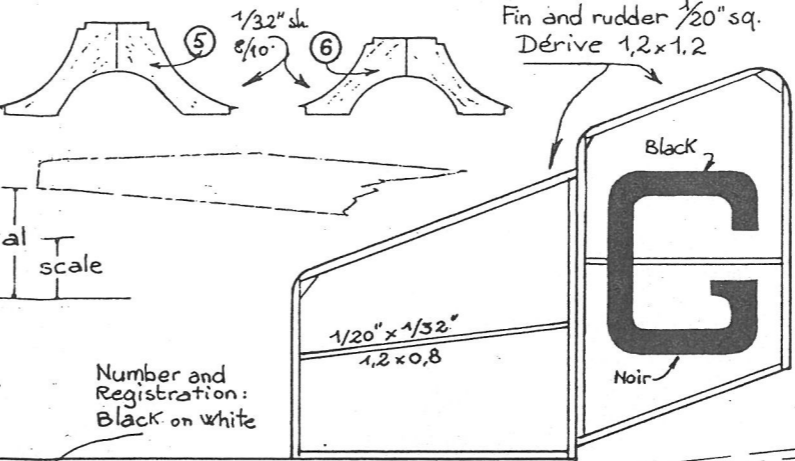
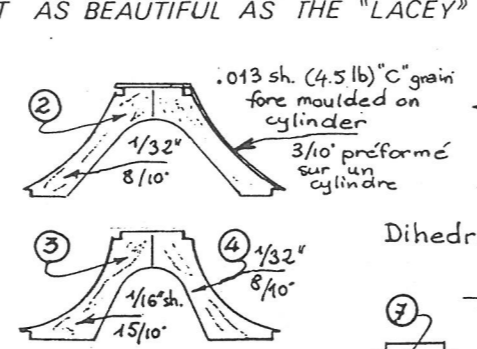
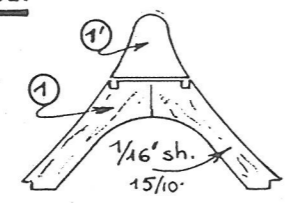
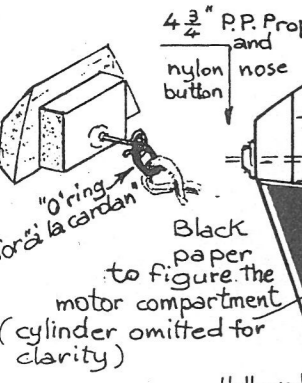


an ultra-light for 1925 Lypne Trials **ANEC 1a**

ALMOST AS BEAUTIFUL AS THE "LACEY"

Cacahuète de Jean-Francis FRUGOLI

COLOURING
Entirely
Gloss au dull
colour



* For good stuff and materials: SAMS, stockist.

Dessin de J.F. FRUGOLI • Reproduction interdite