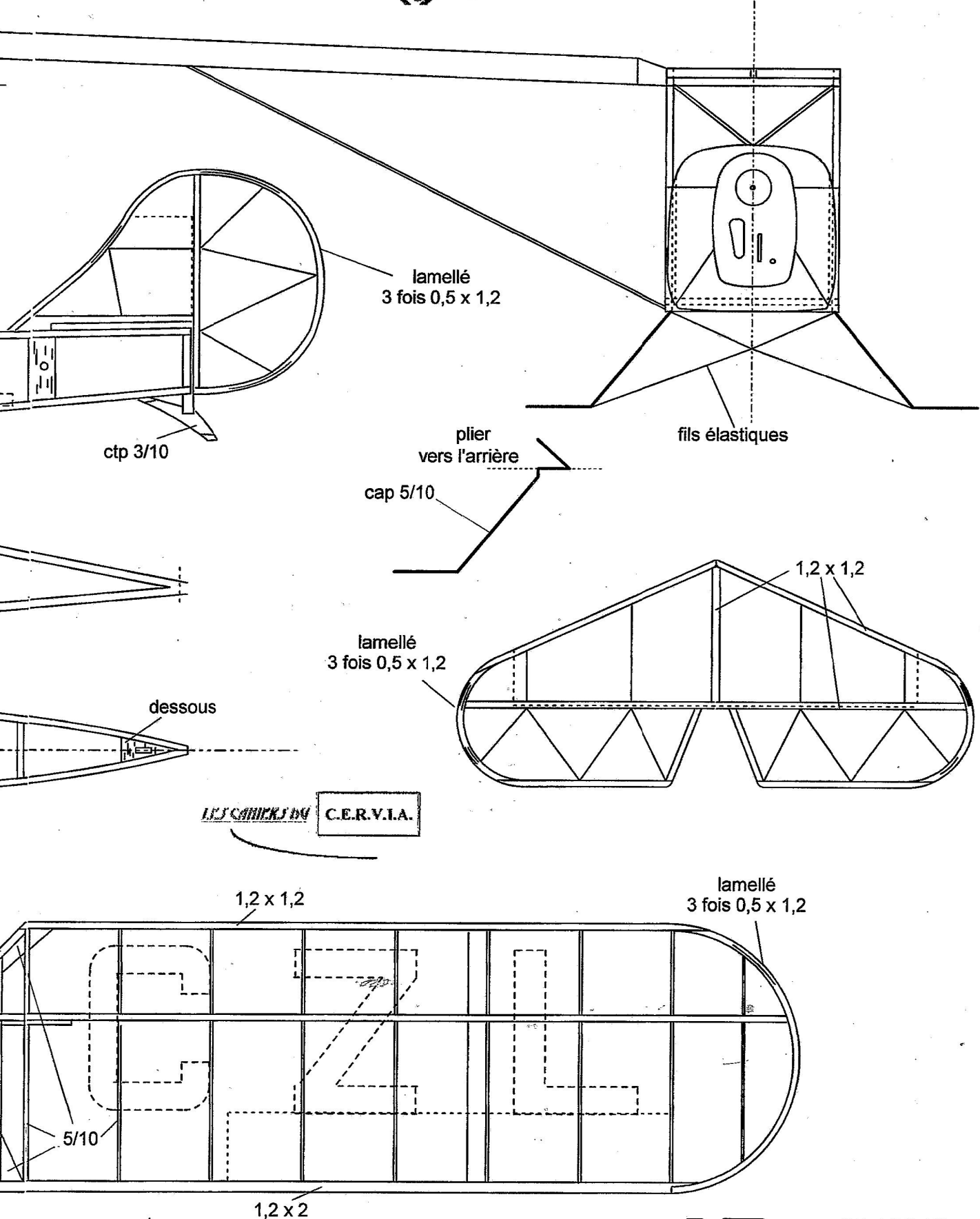
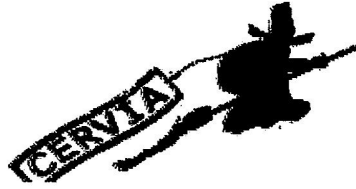


Prototype



09 / 2012